





Wall mount bracket for fixed lens turret and fixed lens vandal dome cameras

DWC-MTTWMB

DWC-MTTWM



WHAT'S IN THE BOX

Mounting Screws and Anchors (PA4x25mm, head diameter 8mm)		x4
Camera Mounting Screws (PM4x10mm, head diameter 6.6mm)		x4
Mounting Template		x1
Hexagonal Wrench (3mm)		x1

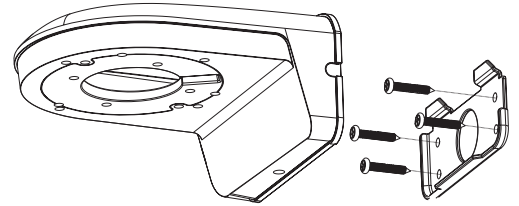
NOTE: Download all your support materials and tools in one place.

1. Go to: <http://www.digital-watchdog.com/resources>
2. Search your product by entering the part number in the **'Search by Product'** search bar. Results for applicable part numbers will populate automatically based on the part number you enter.
3. Click **'Search'**. All supported materials, including manuals and quick start guide (QSGs) will appear in the results.



INSTALLATION

- 1 Separate the wall mount base from the metal base using the hexagonal wrench to loosen the screw in the wall mount.
- 2 Using the mounting template or the mounting bracket itself, mark and drill the necessary holes on the mounting surface.
- 3 Secure the metal base to the mounting surface using the screws and anchors that were included with the mount.
- 4 Secure the wall mount base to the metal base using the hexagonal wrench and screw from step 1.

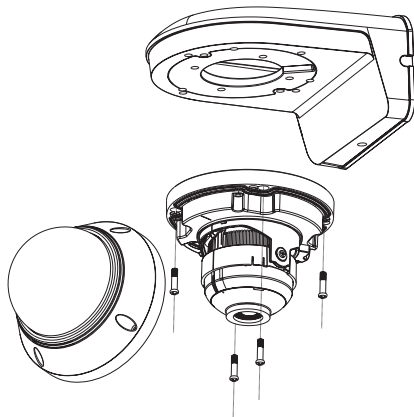


- 5 To mount the vandal dome camera to the mounting accessory, remove the dome from the camera base using the wrench included with the camera.

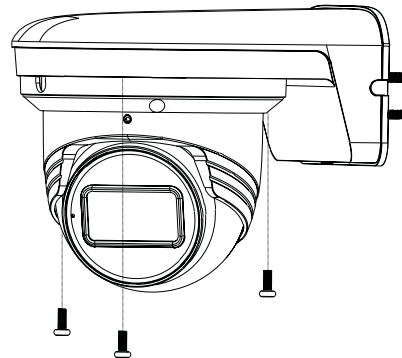
NOTE: Do not touch the lens when handling the camera.

- 5 Pass wires through and make all necessary connections.
- 6 Secure the camera to the mounting bracket using the included screws. See the table below for the length of the screws and compatible cameras.

Vandal dome camera installation

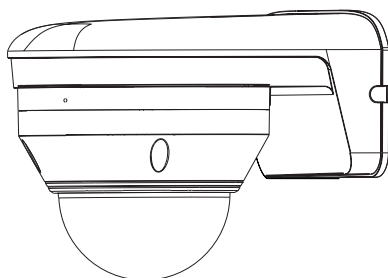


Turret camera installation



- 7 Adjust the camera's position and angle by loosening the lock screw at the base of the camera. When the camera's desired position is achieved, secure the lock screw back in place to complete the installation. For vandal dome cameras, complete the installation by placing the dome cover on the camera. Secure the dome cover to the camera base using the screws included with the camera. See the camera's QSG for more information.

Vandal dome camera installation



Turret camera installation

